



Summary

[Request a quote](#)

[Catalog](#)

Low Voltage	3
Wire Size/AWG	24 - 20
Gender	Standard
Socket / Receptacle	Socket / Receptacle - Free
Locking system	Ratchet
Jacket cable outside diameter [mm]	4.00 - 8.00 mm
Size	0M
Matching parts	FMN.0M.303.XLCT
Series	M - Rugged Ratchet coupling

Technical details

https://www.lemo.com/int_en/solutions/optima/m-ratchet-coupling/pm-n-0m-303-xlmt.html

LEMO products and services are provided "as is". LEMO makes no warranties or representations with regard to LEMO product & services or use of them, express, implied or statutory, including for accuracy, completeness, or security. The user is fully responsible for his products and applications using LEMO components.

Electrical Configuration

Contact Termination Low voltage	Crimp
R (max)	4.8 mOhm
Insert configuration value	0M.303 - 3 Low Voltage
Insulator	L: PEEK
Rated current	8 Amps
Test voltage (kV rms) Contact-contact	1.70
Test voltage (kV rms) Contact-shell	1.4
Contact retention	30 N
Contact Type	Crimp
Max. Conductor	0.5 mm ² (AWG 20)
Min. Conductor	0.25 mm ² (AWG 24)
Bucket Dia.	1.1 mm (0.043in)
Contact Dia.	0.9 mm (0.035in)
Low Voltage	3
Wire Size/AWG	24 - 20
Gender	Standard

Form & Material

Shell style / Model id	PM - Free receptacle with knurled grip and mold stop
Socket / Receptacle	Free
Housing material	Aluminium (nickel plated [SAE AMS QQ N 290], anthracite color) shell and nut, other pieces bronze/brass
Locking system	Ratchet
Keying	3 keys (beta=165, gamma=30, plug: male contacts, receptacle: female contacts)
Weight	7.68 g

https://www.lemo.com/int_en/solutions/optima/m-ratchet-coupling/pm-0m-303-xlmt.html

LEMO products and services are provided "as is". LEMO makes no warranties or representations with regard to LEMO product & services or use of them, express, implied or statutory, including for accuracy, completeness, or security. The user is fully responsible for his products and applications using LEMO components.

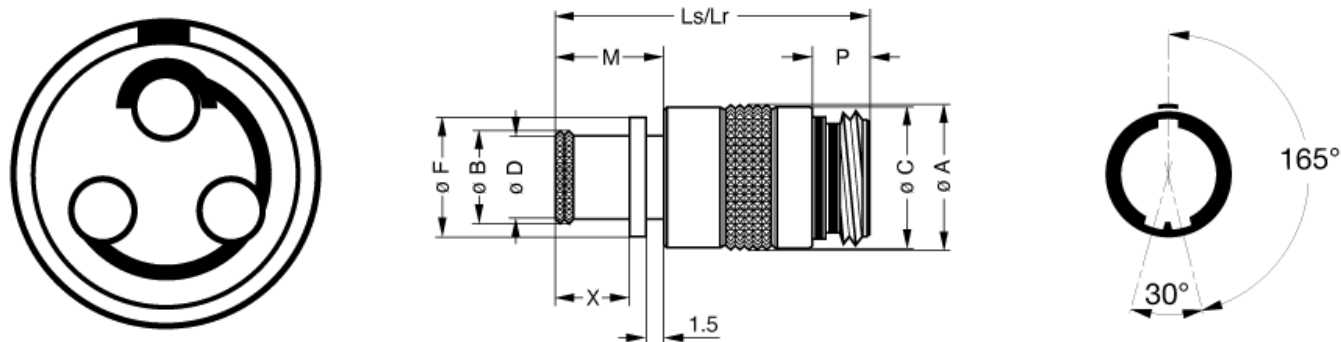
Environment

Technical domain	Motorsport, Security and Defence, Transportation, Aerospace and UAV
Environmental protection (IP rating)	IP68
Minimal temperature	-20°C / +200°C
EMI Shielding EIA 364-66A	>= 80 dB (1 GHz), >=70 dB (3 GHz), >= 58 dB (6 GHz), >= 40 dB (10 GHz)
Gunfire vibration	25 Hz - 2000 Hz, 3 axis (Apache helicopter)
Humidity (max)	21 days at 95%
Lighting strike EIA 364-76	10K amps - 6 times
Shock Resistance	300 g [3 ms]
Thermal shock	5 cycles: -65°C to +150°C
Vibration-Random	37.8 g rms - 3 axes, 4 hr amb [50 Hz - 2000 Hz]
Vibration-Sine	30 g, 3 axes, 12 hr [10 Hz - 2000 Hz]
Salt Spray Corrosion	max. 48 hr

Cable fixation

Cable termination protection	For overmolding
Fixation type	T type cable adapter
Jacket cable outside diameter [mm]	4.00 - 8.00 mm

Drawings



Dimensions

	A	B	C	D	F	Ls	Lr	M	P	X
mm.	13.1	8.8	12.7	8	10.7	28.6	28.6	9.7	5.3	6.7
in.	0.52	0.35	0.5	0.31	0.42	1.13	1.13	0.38	0.21	0.26

https://www.lemo.com/int_en/solutions/optima/m-ratchet-coupling/pm-n-0m-303-xlmt.html

LEMO products and services are provided "as is". LEMO makes no warranties or representations with regard to LEMO product & services or use of them, express, implied or statutory, including for accuracy, completeness, or security. The user is fully responsible for his products and applications using LEMO components.